



# TAMEO KITS

## TMK276 McLAREN MERCEDES MP4/14

### SPANISH G.P. 1999

**1**

MORCK GREY

SILVER: REF. MERCEDES-BENZ BRILLIANT SILVER MB9744

MORCK GREY

MORCK GREY: REF. VOLVO 214

CUT

MORCK GREY

• CUT TAGLIARE COUPER SCHNEIDEN

PARTS N° 1 - 2  
GLUE AND STICK BEFORE PAINTING  
INCOLLARE E STUCCARE PRIMA DELLA VERNICIATURA  
COLLER ET MASTIQUER AVANT DE VERNIR  
KLEBEN UND VERSTÜCKEN VOR DER LACKIERUNG

• STICK STUCCARE MASTIQUER VERSTÜCKEN

HOW TO DRILL

Ø 0,6mm Ø 0,5mm

Ø 0,6mm Ø 0,8mm Ø 0,6mm

Ø 0,6mm Ø 0,8mm Ø 0,8mm

Ø 0,5mm

Ø 0,6mm

Ø 0,8mm

• DRILL FORARE BOHREN PERFOR

TO BEND

**2**

SILVER 4C

SEMI GLOSS BLACK

COULTHARD

SEMI GLOSS BLACK 3

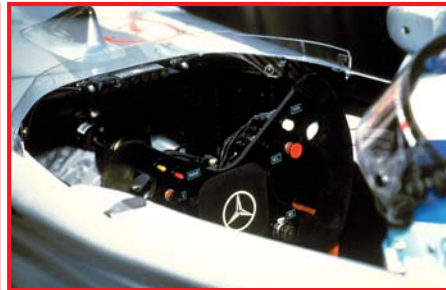
SEMI GLOSS BLACK 4H

SILVER 5H

SEMI GLOSS BLACK 6H

HAKKINEN

SEMI GLOSS BLACK 7



**3**

TO BEND

• SEMI GLOSS BLACK TAMIYA X-18

SEMI GLOSS BLACK NERO SATINATO  
SEMI GLOSS BLACK SCHWARZ  
NOIR SATINE

8 9

10 GUN METAL

11 ALUMINIUM

12 GUN METAL

13

14 SEMI GLOSS BLACK

15 SEMI GLOSS BLACK

16

17 GUN METAL

18 ALUMINIUM

19 GUN METAL

20

21

• GUN METAL TAMIYA XF-10

22

23 GUN METAL

24 ALUMINIUM

25 GUN METAL

26

27

28 SEMI GLOSS BLACK

29 SEMI GLOSS BLACK

30

31 GUN METAL

32 ALUMINIUM

33 GUN METAL

34

35

• ALUMINIUM TAMIYA XF-16

• TO BEND PLEGARE PIEGER BIEGEN

HAKKINEN

STICK

• STICK STUCCARE MASTIQUER VERSTÜCKEN

**4**

SEMI GLOSS BLACK 46

SILVER

SEMI GLOSS BLACK 40

SEMI GLOSS BLACK 45

SEMI GLOSS BLACK 44

SEMI GLOSS BLACK 40

TO BEND

SEMI GLOSS BLACK 44

SEMI GLOSS BLACK 40

SEMI GLOSS BLACK 41

SEMI GLOSS BLACK 39

SEMI GLOSS BLACK 38

SILVER 38

SEMI GLOSS BLACK 37

SEMI GLOSS BLACK 36

SEMI GLOSS BLACK 43

SEMI GLOSS BLACK 42

SEMI GLOSS BLACK 41

SEMI GLOSS BLACK 40

FLAT EARTH

47

48

49 MORCK GREY

PARTS N° 47 - 48 - 50  
SEMI GLOSS BLACK

• FLAT EARTH TAMIYA XF-52

SEMI GLOSS BLACK 51

**5**

TO BEND

50

51 - 56

TO BEND

51 - 56

**7**

• BRONZE HUMBROL no. 55

BRONZE  
BRONZO  
BRONZE

57 BRONZE

SEMI GLOSS BLACK 58

PARTS No. 57  
STEEL WIRE DIAM. 0,8 mm

**6**

TO BEND

46

52 53

54 MORCK GREY

PARTS N° 52 - 53 - 55  
SEMI GLOSS BLACK

SEMI GLOSS BLACK 56

55

56

**8**

59 BRONZE

SEMI GLOSS BLACK 60

PARTS No. 59  
STEEL WIRE DIAM. 0,8 mm

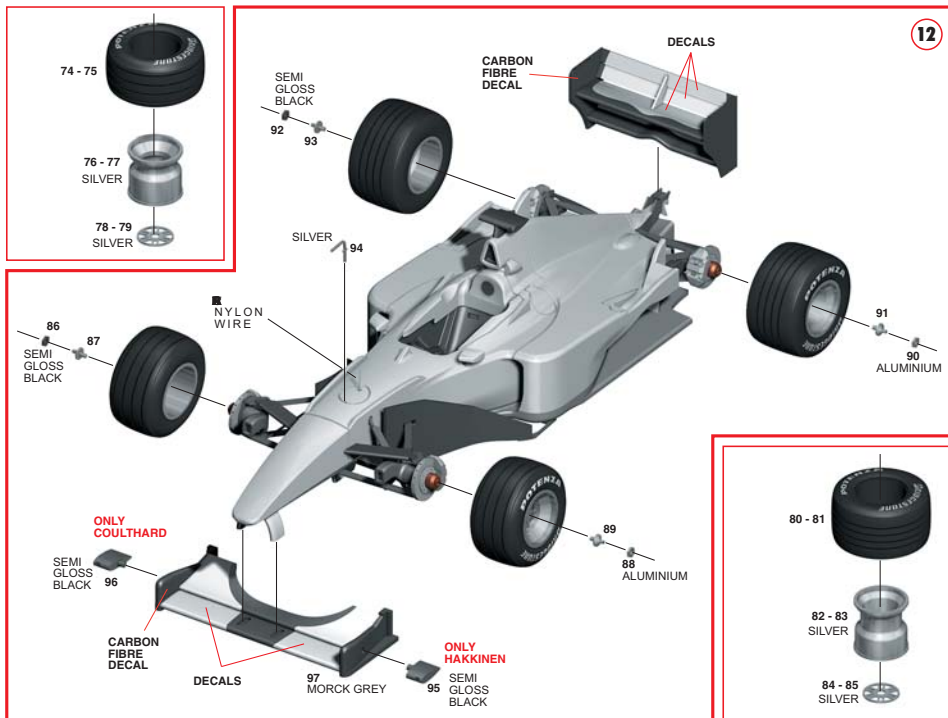
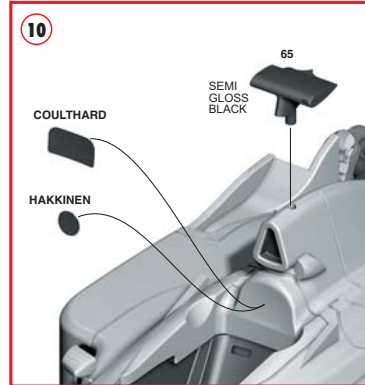
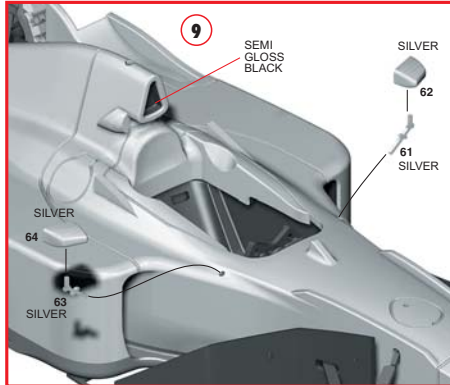
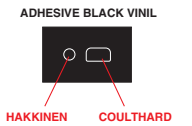
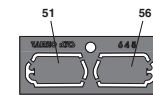
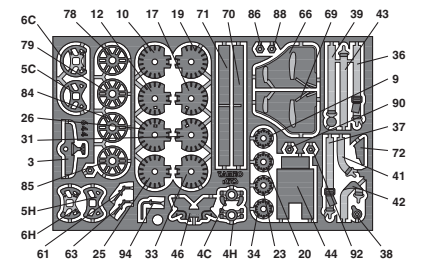
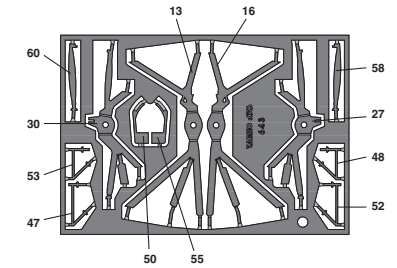
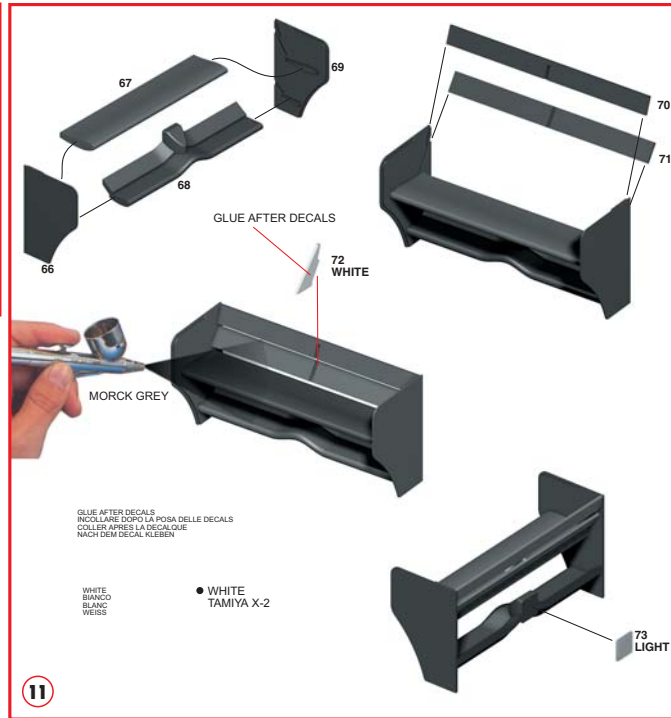
Modello progettato e realizzato interamente con l'ausilio del Software CAD MicroStation Modeler  
 Model engineered and realized with the help of Software CAD MicroStation Modeler  
 Modèle projeté et réalisé avec aide du Software CAD MicroStation Modeler  
 Konstruiert und gefertigt mit CAD MicroStation Modeler Software



**BENTLEY**  
 Engineering the future together



Mechanical Space



**SPANISH G.P. 1999**

1 - M. Hakkinen 1st 2 - D. Coulthard 2nd

